

# *FC-94*

Marion Body Works  
211 W. Ramsdell St.  
Marion, WI 54950

Prepared By : JOE STUHR

[jstuhr@marionbody.com](mailto:jstuhr@marionbody.com)

Prepared For :

MARION BODY WORKS, INC.

Monday, July 31, 2023 1:41:51 PM CDT

## ***Table of Contents***

---

Quotation .....	3
Panel Layout .....	13
5020-001 Panel Layout .....	14
Weight Distribution .....	16
Seat Locations .....	17
Frame Dimensions .....	18
Turning Radius .....	19
Cab Glass .....	20

## Quotation

### Description

#### VEHICLE

---

0100-020	<b>MODEL</b>	FC-94
8012-021	<b>CUSTOMERS / OEMS</b>	Marion (11010)[1002828]
8011-024	<b>MODEL YEAR</b>	Model Year - 2024
8001-001	<b>COUNTRY OF SERVICE</b>	Country of Service United States Of America
8017-001	<b>CAB AND CHASSIS LABELING LANGUAGE</b>	Cab and Chassis Labeling Language English
8006-009	<b>APPARATUS TYPE</b>	Apparatus Type Pumper
8008-001	<b>VEHICLE TYPE</b>	Vehicle Type Straight Truck
8008A-000	<b>VEHICLE ANGLE OF APPROACH PACKAGE</b>	Vehicle Angle of Approach NFPA Minimum 8.00 Degrees
0104-001	<b>AXLE CONFIGURATION</b>	Axle Configuration 4x2 (Rear Axle Drive Only)
0101-003	<b>GROSS AXLE WEIGHT RATINGS FRONT</b>	GAWR Front 20000#
0102-003	<b>GROSS AXLE WEIGHT RATINGS REAR</b>	GAWR Rear 24000#
8010-201	<b>PUMP PROVISION</b>	Pump Provision Driveline Midship, Pump Mode Prog w/Auto Park Brake "N"
8009-013	<b>WATER &amp; FOAM TANK CAPACITY</b>	Water & Foam Tank Capacity 750 to 1250 Gallons

#### CAB

---

1000-004	<b>CAB STYLE</b>	Cab Style MFD 10" Raised Roof
1501-018	<b>CAB FRONT FASCIA</b>	Cab Frt Fascia Classic w/Quad Headlight Bezels
1518-060	<b>FRONT GRILLE</b>	Cab Frt Grille FC-94
1551-002	<b>CAB UNDERCOAT</b>	Cab Undercoat
1552-002	<b>CAB SIDE DRIP RAIL</b>	Cab Side Drip Rail
1521-001	<b>CAB PAINT EXTERIOR</b>	Cab Paint Exterior Single Color
1533-002	<b>CAB PAINT PROCESS/MANUFACTURER</b>	Cab Paint Process/Manufacturer Sikkens
1522-193	<b>CAB PAINT PRIMARY/LOWER COLOR</b>	Cab Paint Primary/Lower Color Sikkens Red FLNA 32891
4		
8013-054	<b>CAB PAINT WARRANTY</b>	Cab Paint Warranty (1) Year RFW0701
1334-036	<b>CAB PAINT INTERIOR</b>	Cab Paint Int Multi-tone Silver Gray
1005-001	<b>CAB ENTRY DOORS</b>	Cab Entry Doors (4)
1101-102	<b>CAB ENTRY DOOR TYPE</b>	Cab Entry Door Type Barrier Free w/Pollak Switches
1322-007	<b>CAB INSULATION</b>	Cab Insulation Nonwoven Polyester Fiber
8004-032	<b>CAB STRUCTURAL WARRANTY</b>	Cab Structural Warranty (5) Year RFW0601
9001-006	<b>CAB TEST INFORMATION</b>	Cab Test Information Crash Test ECE-R29/SAE J2420/SAE J2422

#### ELECTRICAL POWER DISTRIBUTION

---

5000-018	<b>ELECTRICAL SYSTEM</b>	Elec System 12V DC Multiplex
5622-003	<b>DATA RECORDING SYSTEM</b>	Data Recording Sys Vehicle Data Weldon MUX
5004-002	<b>LOAD MANAGEMENT SYSTEM</b>	Load Management System Multiplex

5031-005	<b>ACCESSORY POWER</b>	Accessory Pwr & Gnd Stud 40A Batt Dir & 15A Ign Sw & 225A Batt Dir OEM Conn
5011-001	<b>EXTERIOR ELECTRICAL TERMINAL COATING</b>	Exterior Electrical Terminal Coating Spray On Plasti Dip
8014-001	<b>ELECTRICAL SYSTEM WARRANTY</b>	Electrical System Warranty (1) Year RFW0201

## **ENGINE**

---

1701-166	<b>ENGINE</b>	Engine Diesel 380HP Cummins L9 - EPA 2021
1329-001	<b>CAB ENGINE TUNNEL</b>	Cab Engine Tunnel Small/Medium
1731-002	<b>DIESEL PARTICULATE FILTER CONTROLS</b>	DPF Ctrl Regeneration Sw & Inhibit Sw
1718-002	<b>ENGINE PROGRAMMING HIGH IDLE SPEED</b>	Engine Programming High Idle Speed 1250 RPM
1719-004	<b>ENGINE HIGH IDLE CONTROL</b>	Engine High Idle Ctrl Manual and Automatic
1710-001	<b>ENGINE PROGRAMMING ROAD SPEED GOVERNOR</b>	Engine Programming Road Speed Governor Enabled
1713-005	<b>AUXILIARY ENGINE BRAKE</b>	Aux Engine Brake VG Turbo
1708-002	<b>AUXILIARY ENGINE BRAKE CONTROL</b>	Aux Engine Brake Ctrl On/Off Sw Pnl
1720-003	<b>ELECTRONIC ENGINE OIL LEVEL INDICATOR</b>	Elec Engine Oil Level Indicator
1715-008	<b>FLUID FILLS</b>	Fluid Fills Under Cab
1735-001	<b>ENGINE DRAIN PLUG</b>	Engine Drain Plug
8002-001	<b>ENGINE WARRANTY</b>	Engine Warranty Cummins (5) Year/100,000 Miles
1707-116	<b>REMOTE THROTTLE HARNESS</b>	Rmt Throttle Harness Cab Harness Only Shift Interlock
1721-001	<b>ENGINE PROGRAMMING REMOTE THROTTLE</b>	Engine Program Rmt Throttle Off
1727-001	<b>ENGINE PROGRAMMING IDLE SPEED</b>	Engine Programming Idle Speed 700 RPM

## **AIR INTAKE**

---

2801-010	<b>ENGINE AIR INTAKE</b>	Engine Air Intake Filtration and Restriction w/Replaceable Element Abv Radiator
----------	--------------------------	---

## **COOLING**

---

2704-016	<b>ENGINE FAN DRIVE</b>	Engine Fan Drive Variable Speed
2701-021	<b>ENGINE COOLING SYSTEM</b>	Engine Cooling System Serial Flow w/Package Drop-Out Prov
2711-002	<b>ENGINE COOLING SYSTEM PROTECTION</b>	Engine Cooling System Protection Light Duty Skid Plate
2708-001	<b>ENGINE COOLANT</b>	Engine Coolant Extended Life
2706-003	<b>ELECTRONIC COOLANT LEVEL INDICATOR</b>	Elec Low Coolant Level Indicator
2705-002	<b>ENGINE PUMP HEAT EXCHANGER</b>	Engine Pump Heat Exchanger
2709-001	<b>COOLANT HOSES</b>	Coolant Hoses Silicone
2710-005	<b>ENGINE COOLANT OVERFLOW BOTTLE</b>	Engine Coolant Overflow Expansion Bottle

## **EXHAUST**

---

2901-067	<b>ENGINE EXHAUST SYSTEM</b>	Eng Exhaust Sys Under Frm RH Single Module Aftertreatment Outboard
----------	------------------------------	--

2907-003	<b>DIESEL EXHAUST FLUID TANK</b>	Diesel Exhaust Fluid Tank LH 6 Gal Fill Thru Rr Step
2902-010	<b>ENGINE EXHAUST ACCESSORIES</b>	Engine Exhaust Acc Temp Mitigation
2906-002	<b>ENGINE EXHAUST WRAP</b>	Engine Exhaust Wrap
8018-002	<b>EMISSIONS SYSTEM WARRANTY</b>	Emissions System Warranty (5) Year/100,000 Miles RFW0140

## TRANSMISSION

---

1801-015	<b>TRANSMISSION</b>	Transmission Allison 3000 EVS
1806-002	<b>TRANSMISSION MODE PROGRAMMING</b>	Transmission Mode Programming 5th Startup/5th Mode
1811-004	<b>TRANSMISSION FEATURE PROGRAMMING</b>	Transmission Feature Programming Allison Gen 5 & 6-E I/O Package 198/Pumper
1815-002	<b>ELECTRONIC TRANSMISSION OIL LEVEL INDICATOR</b>	Elec Transmission Oil Level Indicator
1807-005	<b>TRANSMISSION SHIFT SELECTOR</b>	Transmission GEN 5 & 6-E Shift Sel Key Pad/Push Button
1814-002	<b>TRANSMISSION PRE-SELECT WITH AUXILIARY BRAKE</b>	2nd Gear Pre-Select
1808-007	<b>TRANSMISSION COOLING SYSTEM</b>	Transmission Cooling System
1817-001	<b>TRANSMISSION DRAIN PLUG</b>	Transmission Drain Plug
8005-001	<b>TRANSMISSION WARRANTY</b>	Transmission Warranty Allison (5) Year

## POWER TAKE OFF

---

2005-009	<b>PTO LOCATION</b>	PTO Location 8:00/4:00
----------	---------------------	------------------------

## DRIVELINE

---

3001-014	<b>DRIVELINE</b>	Driveline MSI 1710 w/Meritor U-Joints w/Thrust Washers
3005-002	<b>MIDSHIP PUMP / GEARBOX</b>	Midship Pump Jackshaft Only
3008-085	<b>MIDSHIP PUMP / GEARBOX MODEL</b>	Midship Pump/Gearbox Model Waterous CSUC20/C22 Fwd
3048-007	<b>MIDSHIP PUMP GEARBOX DROP</b>	Midship Driveline Pump Gearbox Drop Waterous "C"
3009-007	<b>MIDSHIP PUMP RATIO</b>	Midship Pump Ratio 2.27:1
3010-102	<b>MIDSHIP PUMP LOCATION C/L SUCTION TO C/L REAR AXLE</b>	Midship Pump Location C/L Suction to C/L Rear Axle 102.0"
5013-032	<b>PUMP SHIFT CONTROLS</b>	Pump Shift Ctrl Air Ctrl Integrated Shifter Pod
3049-003	<b>PUMP SHIFT CONTROL PLUMBING</b>	Pump Shift Control Plumbing Pre-Plumb Elec/Air

## FUEL SYSTEMS

---

3109-067	<b>FUEL FILTER/WATER SEPARATOR</b>	Fuel Filter/Wtr Separator Fleetguard FS20121 w/Lt & Alarm
3111-001	<b>FUEL LINES</b>	Fuel Lines Nylon
3103-008	<b>ELECTRIC FUEL PRIMER</b>	Electric Fuel Primer Engine Sply Electric Lift Pump
3101-101	<b>FUEL TANK</b>	Fuel Tank 50 Gallon
3130-001	<b>FUEL TANK MATERIAL AND FINISH</b>	Fuel Tank Material Steel & Finish Painted Frame Components Color
3131-001	<b>FUEL TANK STRAP MATERIAL AND FINISH</b>	Fuel Tank Strap Material Steel & Finish Painted Frame Components Color
3102-007	<b>FUEL TANK FILL PORT</b>	Fuel Tank Fill Port LH Rwd/RH Mid
3115-002	<b>FUEL TANK DRAIN PLUG</b>	Fuel Tank Drain Plug Magnetic

## FRONT AXLE

---

2401-003	<b>FRONT AXLE</b>	Frnt Axle Meritor MFS 20000# Beam
8059-022	<b>FRONT AXLE WARRANTY</b>	Front Axle Warranty Meritor 2024
2405-001	<b>FRONT WHEEL BEARING LUBRICATION</b>	Frnt Wheel Bearing Lube Oil

## FRONT SUSPENSION

---

2502-002	<b>FRONT SHOCK ABSORBERS</b>	Frnt Shock Absorbers Bilstein
2501-016	<b>FRONT SUSPENSION</b>	Frnt Suspension 10 Leaf 20000-21500#

## STEERING

---

2601-005	<b>STEERING COLUMN/WHEEL</b>	Steering Column/Wheel Tilt/Telescopic 18" 2 Spoke
2609-002	<b>ELECTRONIC POWER STEERING FLUID LEVEL INDICATOR</b>	Elec Power Steering Fluid Level Indicator
2603-011	<b>POWER STEERING PUMP</b>	Power Steering Pump TRW w/Passive Cooler
2606-009	<b>FRONT AXLE CRAMP ANGLE</b>	Front Axle Cramp Angle 48L/44R Degrees
2610-003	<b>POWER STEERING GEAR</b>	Power Steering Gear TRW TAS 65 w/Assist
2608-001	<b>CHASSIS ALIGNMENT</b>	Chassis Alignment

## REAR AXLE

---

3401-002	<b>REAR AXLE</b>	Rear Axle 24000# Meritor RS-24-160
3403-001	<b>REAR AXLE DIFFERENTIAL LUBRICATION</b>	Rear Axle Differential Lubrication Oil
8061-019	<b>REAR AXLE WARRANTY</b>	Rear Axle Warranty Meritor 2024
3411-001	<b>REAR WHEEL BEARING LUBRICATION</b>	Rear Wheel Bearing Lubrication Oil
3408-008	<b>VEHICLE TOP SPEED</b>	Vehicle Top Speed 68 MPH
3410-001	<b>REAR AXLE EXTERNAL VENT</b>	Rear Axle External Vent OEM Housing Breather

## REAR SUSPENSION

---

3501-032	<b>REAR SUSPENSION</b>	Rear Susp Reyco 79KB Spring 21000-31500# Conventional
----------	------------------------	---

## TIRES

---

3625-002	<b>TIRE INTERMITTENT SERVICE RATING</b>	Tire Intermittent Service Ratings Acceptable
3601-045	<b>FRONT TIRE</b>	Frnt Tire 315/80R 22.5 Michelin XZUS 2
3602-003	<b>REAR TIRE</b>	Rear Tire 11R 22.5 Michelin XDN2
3413-513	<b>REAR AXLE RATIO</b>	Rear Axle Ratio 5.13
3614-030	<b>TIRE PRESSURE INDICATOR</b>	Tire Pressure Ind Frt & Rr LED

## WHEELS

---

3701-036	<b>FRONT WHEEL</b>	Frnt Wheel Alcoa 22.5 x 9.00 Alum
3703-061	<b>REAR WHEEL</b>	Rr Whl Alcoa 22.5 x 8.25 Alum

## BRAKES

---

3205-012	<b>BRAKE SYSTEM</b>	Brake System ABS/ATC/ESC Sgl Axle
----------	---------------------	-----------------------------------

3206-001	<b>FRONT BRAKES</b>	Frt Brakes S-Cam Drum 16.5" x 6"
3207-001	<b>REAR BRAKES</b>	Rr Brakes S-Cam Drum 16.5" x 7"
3208-001	<b>PARK BRAKE</b>	Prk Brake Rr Wheels Only
3204-029	<b>PARK BRAKE CONTROL</b>	Prk Brake Ctrl LH Tunnel Mnt, Integrated w/Shift Pod, Adjacent To Trans Shifter
3213-001	<b>FRONT BRAKE SLACK ADJUSTERS</b>	Frt Brake Slack Adjusters Meritor
3214-001	<b>REAR BRAKE SLACK ADJUSTERS</b>	Rr Brake Slack Adjusters Meritor
3202-001	<b>AIR DRYER</b>	Air Dryer Wabco System Saver 1200 Bhd RH Step
3215-001	<b>FRONT BRAKE CHAMBERS</b>	Frt Brake Chambers MGM Type 30
3210-014	<b>REAR BRAKE CHAMBERS</b>	Rr Brake Chambers TSE 30/30

## **AIR SUPPLY SYSTEMS**

---

3320-001	<b>AIR COMPRESSOR</b>	Air Compressor Wabco SS318 18.7 CFM
3339-004	<b>AIR GOVERNOR</b>	Air Governor Mnt on Air Dryer Bracket
3303-001	<b>MOISTURE EJECTORS</b>	Moisture Ejectors Manual
3307-101	<b>AIR SUPPLY LINES</b>	Air Sply Lines Nylon w/PTC Fittings

## **FRAME**

---

2103-180 0	<b>WHEELBASE</b>	Wheelbase 180.0"
2106-041 0	<b>REAR OVERHANG</b>	Rear Overhang 41.0"
2101-002	<b>FRAME</b>	Frame Double Channel 35.00" Width
2110-101	<b>FRAME PAINT</b>	Frame Paint Powder Coat Black
8007-034	<b>FRAME ASSEMBLY STRUCTURAL WARRANTY</b>	Frame Assembly Structural Warranty (5) Year RFW0301
8019-002	<b>FRAME RAIL CORROSION WARRANTY</b>	Frame Rail Corrosion Warranty (3) Year RFW0311
8022-003	<b>FRAME COMPONENTS CORROSION WARRANTY</b>	Frame Components Corrosion Warranty (1) Year RFW0313

## **BUMPER**

---

2201-001	<b>FRONT BUMPER</b>	Frt Bumper Stainless Steel Flat
2202-006	<b>FRONT BUMPER EXTENSION LENGTH</b>	Frt Bumper Extension Length 24"
2208-007	<b>FRONT BUMPER APRON</b>	Frt Bumper Apron For 24" Extension
2237-004	<b>FRONT BUMPER DISCHARGE</b>	Front Bumper Discharge 2.0" LH Frame Mnt Plumbing
2211-003	<b>FRONT BUMPER COMPARTMENT CENTER</b>	Frt Bumper Cmpt Ctr w/Cover
2210-002	<b>FRONT BUMPER COMPARTMENT COVER HARDWARE</b>	Frt Bumper Cmpt Cover Hardware Gas Cylinder/D-Ring
5501-020	<b>AIR HORN</b>	Air Horn (2) 21" Round Hadley E-Tone
2216-010	<b>AIR HORN LOCATION</b>	Air Horn Location (2) Frt Bmpr Face R/L IB
2232-002	<b>AIR HORN RESERVOIR</b>	Air Horn Reservoir (1) 1200 Cu In
5504-029	<b>ELECTRONIC SIREN SPEAKER</b>	Elect Siren Speaker 100W Cast Products SA4301
2217-008	<b>ELECTRONIC SIREN SPEAKER LOCATION</b>	Elec Siren Speaker Location Frt Bmpr Face Ctr

2203-006 **FRONT BUMPER TOW HOOKS** Frt Bumper Tow Hooks Painted Side Rwd

## **CAB TILT**

---

2301-001 **CAB TILT SYSTEM** Cab Tilt System  
2305-001 **CAB TILT CONTROL RECEPTACLE** Cab Tilt Ctrl Receptacle Temp  
2306-002 **CAB TILT LOCK DOWN INDICATOR** Cab Tilt Lock Down Indicator

## **CAB GLASS**

---

1401-009 **CAB WINDSHIELD** Cab Windshield  
1402-005 **GLASS FRONT DOOR** Glass Frt Dr Roll Down/XDuty Regulator  
1407-001 **GLASS TINT FRONT DOOR** Glass Tint Frt Dr Automotive Green  
1419-012 **GLASS REAR DOOR RIGHT HAND** Glass Rr Dr RH Roll Down/XDuty Regulator  
1430-001 **GLASS TINT REAR DOOR RIGHT HAND** Glass Tint Rr Door RH Automotive Green  
1412-013 **GLASS REAR DOOR LEFT HAND** Glass Rr Dr LH Roll Down/XDuty Regulator  
1431-001 **GLASS TINT REAR DOOR LEFT HAND** Glass Tint Rr Door LH Automotive Green  
1410-003 **GLASS SIDE MID RIGHT HAND** Glass Side Mid RH Fxd 16"W x 26"H  
1432-001 **GLASS TINT SIDE MID RIGHT HAND** Glass Tint Side Mid RH Automotive Green  
1409-003 **GLASS SIDE MID LEFT HAND** Glass Side Mid LH Fxd 16"W x 26"H  
1433-001 **GLASS TINT SIDE MID LEFT HAND** Glass Tint Side Mid LH Automotive Green

## **CLIMATE CONTROL**

---

1614-101 **CLIMATE CONTROL** Climate Ctrl Htr Defroster Frt Ovrhd/Htr A/C Tunnel Mnt  
1632-002 **CLIMATE CONTROL DRAIN** Climate Control Drain Gravity  
1617-101 **CLIMATE CONTROL ACTIVATION** Climate Ctrl Actv Device Mnt Ovrhd/Device Mnt Tunnel  
1603-003 **A/C CONDENSER LOCATION** A/C Condenser Location Roof Mnt Fwd Ctr  
1601-001 **A/C COMPRESSOR** A/C Compressor Large Capacity  
1530-100 **UNDER CAB INSULATION** Under Cab Insulation Engine Tunnel

## **CAB INTERIOR**

---

1327-001 **INTERIOR TRIM FLOOR** Interior Trim Floor  
1302-001 **INTERIOR TRIM** Interior Trim Vinyl  
1368-002 **REAR WALL INTERIOR TRIM** Rear Wall Interior Trim Vinyl  
1306-006 **HEADER TRIM** Header Trim XDuty  
1305-014 **TRIM CENTER DASH** Trim Center Dash XDuty  
1339-102 **TRIM LEFT HAND DASH** Trim LH Dash XDuty  
1321-004 **TRIM RIGHT HAND DASH** Trim RH Dash XDuty Glove Cmpt/MDT Prov  
1307-002 **ENGINE TUNNEL TRIM** Eng Tnl Trim Flr Mat  
5040-188 **POWER POINT DASH MOUNT** Pwr Pnt Dash Mnt Batt Dir (1) Sw Pnl/(1) Dual USB Blue Sea 4.8A Batt Dir Sw Pnl  
1303-017 **STEP TRIM** Step Trim Grip Strut Lwr Flex-Tred Mid  
1379-002 **UNDER CAB ACCESS DOOR** Under Cab Access Door Rear Step LH DA Sanded  
1102-013 **INTERIOR DOOR TRIM** Interior Door Trim Painted  
1105-001 **CAB DOOR TRIM REFLECTIVE** Cab Dr Trim Reflective Vert Stripe/6" Chevron w/Logo



1308-001	<b>INTERIOR GRAB HANDLE "A" PILLAR</b>	Interior Grab Handle 'A' Pillar 11" Molded
1332-008	<b>INTERIOR GRAB HANDLE FRONT DOOR</b>	Interior Grab Handle Frt Door Horiz 9"
1345-002	<b>INTERIOR GRAB HANDLE REAR DOOR</b>	Int Grab Handle Rr Dr Alum Window Span 30" Black Powder Coat
1301-003	<b>INTERIOR SOFT TRIM COLOR</b>	Interior Soft Trim Color Gray
1337-001	<b>INTERIOR TRIM SUNVISOR</b>	Interior Trim Sunvisor Vinyl
1304-001	<b>INTERIOR FLOOR MAT COLOR</b>	Interior Floor Mat Color Gray
1335-017	<b>CAB PAINT INTERIOR DOOR TRIM</b>	Cab Paint Int Dr Trim Multi-tone Silver Gray
1371-017	<b>HEADER TRIM INTERIOR PAINT</b>	Header Trim Interior Paint Multi-tone Silver Gray
1370-019	<b>TRIM CENTER DASH INTERIOR PAINT</b>	Trim Center Dash Interior Paint Multi-tone Silver Gray
1378-018	<b>TRIM LEFT HAND DASH INTERIOR PAINT</b>	Trim LH Dash Interior Paint Multi-tone Silver Gray
1373-018	<b>TRIM RIGHT HAND DASH INTERIOR PAINT</b>	Trim RH Dash Interior Paint Multi-tone Silver Gray
1344-002	<b>DASH PANEL GROUP</b>	Dash Pnl Group 3-Pnl
1312-005	<b>SWITCHES CENTER PANEL</b>	Switches Ctr Pnl 12 Upr
1313-004	<b>SWITCHES LEFT PANEL</b>	Switches Left Pnl 8 (6+2) w/Headlight/Dimmer/Wiper
1314-001	<b>SWITCHES RIGHT PANEL</b>	Switches Right Pnl 0

## **CAB SEATS**

---

1225-018	<b>SEAT BELT WARNING</b>	Seat Belt Warn Indv Seat Loc & LED Display w/VDR Weldon
1237-005	<b>SEAT MATERIAL</b>	Seat Material Bostrom Durawear Plus
1243-001	<b>SEAT COLOR</b>	Seat Color Gray/Red Seat Belts
1249-001	<b>SEAT BACK LOGO</b>	Seat Back Logo Spartan
1201-005	<b>SEAT DRIVER</b>	Seat Driver Bostrom Firefighter 2-Way Manual ABTS
1213-025	<b>SEAT BACK DRIVER</b>	Seat Back Driver Non-SCBA ABTS
1219-001	<b>SEAT MOUNTING DRIVER</b>	Seat Mounting Driver
1202-047	<b>SEAT OFFICER</b>	Seat Officer Bostrom Firefighter Fixed 300 Series ABTS
1214-030	<b>SEAT BACK OFFICER</b>	Seat Back Officer SCBA Bostrom SecureAll w/Quick-Adjust
1220-002	<b>SEAT MOUNTING OFFICER</b>	Seat Mounting Officer
1273-001	<b>SEAT BELT ORIENTATION CREW</b>	Seat Belt Orientation Crew Outboard Shoulder To Inboard Hip
1263-001	<b>SEAT REAR FACING OUTER LOCATION</b>	Seat RFO Location (2) R/L
1203-029	<b>SEAT CREW REAR FACING OUTER</b>	Seat Crew RFO Bostrom Firefighter Flip-Up 300 Series
1215-027	<b>SEAT BACK REAR FACING OUTER</b>	Seat Back RFO SCBA Bostrom SecureAll w/Quick-Adjust
1221-009	<b>SEAT MOUNTING REAR FACING OUTER</b>	Seat Mounting RFO Rwd 2"
1266-001	<b>SEAT FORWARD FACING CENTER LOCATION</b>	Seat FFC Location (2) Ctr
1206-041	<b>SEAT CREW FORWARD FACING CENTER</b>	Seat Crew FFC Bostrom Firefighter Flip-Up 300 Series
1218-031	<b>SEAT BACK FORWARD FACING CENTER</b>	Seat Back FFC SCBA Bostrom SecureAll w/Quick-Adjust
1269-112	<b>SEAT FRAME FORWARD FACING</b>	Seat Frm Fwd Fcg Risers
1224-002	<b>SEAT MOUNTING FORWARD FACING CENTER</b>	Seat Mounting Forward Facing Center

## **CAB EXTERIOR**

---

1511-200	<b>WINDSHIELD WIPER SYSTEM</b>	Windshield Wiper System
----------	--------------------------------	-------------------------

1534-002	<b>ELECTRONIC WINDSHIELD FLUID LEVEL INDICATOR</b>	Electronic Windshield Fluid Level Indicator
1103-002	<b>CAB DOOR HARDWARE</b>	Cab Door Hardware Black Composite
1111-001	<b>DOOR LOCKS</b>	Door Locks Manual
1503-200	<b>GRAB HANDLES</b>	Grab Handles SS 18"
1504-012	<b>REARVIEW MIRRORS</b>	Mirror Aerodynamic Retrac 613295 Rmt
1513-002	<b>CAB FENDER</b>	Cab Fender Alum w/ABS Liner
1526-005	<b>CAB EXTERIOR FRONT &amp; SIDE EMBLEMS</b>	Cab Ext Frt & Side Emblems Spartan Frt Only

## **START / CHARGING SYSTEMS**

---

5109-015	<b>IGNITION</b>	Ign Mstr Rkr Sw w/Push-Button Start
5101-020	<b>BATTERY</b>	Batt (3) Group 31 Harris
5106-001	<b>BATTERY TRAY</b>	Batt Tray LH Steel
5107-002	<b>BATTERY BOX COVER</b>	Batt Box Cover LH Steel w/Black Handle
5102-002	<b>BATTERY CABLE</b>	Batt Cables w/Rmt Terminal Stud
5108-011	<b>BATTERY JUMPER STUD</b>	Batt Jumper Stud Rear LH Batt Box
5104-001	<b>ALTERNATOR</b>	Alternator Leece-Neville 270A
5105-001	<b>STARTER MOTOR</b>	Starter Motor Delco

## **LINE VOLTAGE ELECTRICAL POWER DISTRIBUTION**

---

5202-173	<b>BATTERY CONDITIONER</b>	Batt Cond Kussmaul Chief 4012 LH RFO Seat Position
5203-093	<b>BATTERY CONDITIONER DISPLAY</b>	Batt Cond Display Integrated In Elec Inlet w/Digital Status Center
5209-002	<b>ELECTRICAL INLET LOCATION</b>	Elec Inlet Location LH Cab Side Mid
5204-055	<b>ELECTRICAL INLET</b>	Elec Inlet 120V 20A Auto Eject
5210-004	<b>ELECTRICAL INLET CONNECTION</b>	Elec Inlet Conn to Batt Conditioner
5206-002	<b>ELECTRICAL INLET COLOR</b>	Elec Inlet Color Yellow

## **LIGHTING**

---

5301-100	<b>HEADLIGHTS</b>	Headlights 4 Headlamps Halogen
5303-004	<b>FRONT TURN SIGNALS</b>	Frnt Turn Signals Whelen 600 LED
5337-001	<b>HEADLIGHT LOCATION</b>	Headlights Below Frnt Warn Lts
5336-015	<b>SIDE TURN/MARKER LIGHTS</b>	Side Turn/Marker Lts LED Tecniq S170
5302-022	<b>MARKER &amp; ICC LIGHTS</b>	Marker & ICC Lts Face Mnt LED Tecniq S170
5350-092	<b>HEADLIGHT AND MARKER LIGHT ACTIVATION</b>	Hdlt & Mrkr Lt Actv Rkr Sw/DRL Ign Sw
5305-350	<b>INTERIOR OVERHEAD LIGHTS</b>	Interior Overhead Lts Red/Clear LED
5388-002	<b>INTERIOR OVERHEAD LIGHTING ACTIVATION</b>	Int Ovrhd Lt Actv Resp Dr
5403-062	<b>LIGHTBAR PROVISION</b>	Lightbar Prov Wire & Lwr Mnt Chassis Supply
5450-232	<b>CAB FRONT LIGHTBAR</b>	Cab Frnt Ltbar Whelen Freedom F4N72QLED 6R2C Layout 1
5426-002	<b>LIGHTBAR SWITCH</b>	Lightbar Sw Pnl
5308-300	<b>GROUND LIGHTS</b>	Ground Lts Tecniq T44 LED
5386-002	<b>GROUND LIGHTING ACTIVATION</b>	Ground Lt Actv Prk Brk

5309-003	<b>LOWER CAB STEP LIGHTS</b>	Lwr Cab Step Lts Tecniq T44 LED
5382-008	<b>INTERMEDIATE STEP LIGHTS</b>	Intermediate Step Lts Tecniq D06 LED Frt Drs
5312-003	<b>ENGINE COMPARTMENT LIGHT</b>	Engine Cmpt Work Lt LED (1)

### **OPTICAL WARNING DEVICES**

---

5406-119	<b>DO NOT MOVE APPARATUS LIGHT</b>	Do Not Move App Lt Flashing Red Tecniq K50 LED w/Alarm
5422-001	<b>MASTER WARNING SWITCH</b>	Mstr Warn Sw Pnl
5401-032	<b>INBOARD FRONT WARNING LIGHTS</b>	Inboard Frt Warn Lts Whelen M6 LED Chrm Bezel
5413-003	<b>INBOARD FRONT WARNING LIGHTS COLOR</b>	Inboard Frt Warn Lts Color Red w/Clr Lens
5423-007	<b>FRONT WARNING SWITCH</b>	Frt Warn Sw Pnl
5404-027	<b>INTERSECTION WARNING LIGHTS</b>	Intersection Warn Lts Whelen M6 LED
5419-003	<b>INTERSECTION WARNING LIGHTS COLOR</b>	Int Warn Lts Color Red w/Clr Lens
5420-002	<b>INTERSECTION WARNING LIGHTS LOCATION</b>	Intersection Warn Lts Location Bumper Tail Rwd
5424-008	<b>SIDE AND INTERSECTION WARNING SWITCH</b>	Side & Intersection Warn Sw Pnl

### **AUDIBLE WARNING DEVICES**

---

5510-004	<b>SIREN CONTROL HEAD</b>	Siren Ctrl Head Whelen 295HFS2
5514-100	<b>STEERING WHEEL HORN BUTTON SELECTOR SWITCH</b>	Horn Btn Sel Sw Elec Horn/Air Horn
5526-002	<b>AUDIBLE WARNING LH FOOT SWITCH</b>	Audible Warning LH Foot Switch Air Horn
5526A-001	<b>AIR HORN FOOT SWITCH LH</b>	Air Horn Foot Switch LH Linemaster 491-S
5526B-001	<b>AIR HORN FOOT SWITCH LH LOCATION</b>	Air Horn Foot Switch LH Location A-Pillar
5526C-001	<b>AIR HORN FOOT SWITCH LH POSITION</b>	Air Horn Foot Switch LH Position Inboard of Other Foot Switch
5529-002	<b>AUDIBLE WARNING LH FOOT SWITCH BRACKET</b>	Audible Warn LH Ft Sw Double Brkt 30Deg TPlate
5527-002	<b>AUDIBLE WARNING RH FOOT SWITCH</b>	Audible Warning RH Foot Switch Air Horn
5527A-001	<b>AIR HORN FOOT SWITCH RH</b>	Air Horn Foot Switch RH Linemaster 491-S
5527B-002	<b>AIR HORN FOOT SWITCH RH LOCATION</b>	Air Horn Foot Switch RH Location Temporary Firewall Inboard Coiled
5512-042	<b>AIR HORN AUXILIARY ACTIVATION</b>	Air Horn Actv PB Sw Pnl
5505-002	<b>BACK-UP ALARM</b>	Back-Up Alarm Ecco 575

### **INSTRUMENTATION**

---

5601-041	<b>INSTRUMENTATION</b>	Instrumentation Standard
5624-001	<b>BACKLIGHTING COLOR</b>	Backlighting Color Red

### **COMMUNICATIONS SYSTEMS**

---

5728-009	<b>CAMERA REAR</b>	Camera HD Rear Box
----------	--------------------	--------------------

Prepared By JOE STUHR  
Quote Id : 95476,Revision Level: 8  
Order Id: 10012181  
Lead Unit Order Id: 10012181

Prepared For  
MARION BODY WORKS, INC.  
VIN : 4S9DT2D98RC560668  
Lead Sales Order Number: 95476

5731-012	<b>CAMERA DISPLAY</b>	Camera Display LH HD Monitor
5703-010	<b>COMMUNICATION ANTENNA</b>	Comm Ant Base RH Fwd Cab Rf Chassis Sply
5708-003	<b>COMMUNICATION ANTENNA CABLE ROUTING</b>	Comm Ant Cable Routing Under Rkr Sw Pnl
5020-001	<b>PANEL LAYOUT</b>	Panel Layout

### **ADDITIONAL EQUIPMENT**

---

8814-002	<b>CAB EXTERIOR PROTECTION</b>	Cab Exterior Protection Front
8806-001	<b>FIRE EXTINGUISHER</b>	Fire Extinguisher Shiploose
8810-001	<b>DOOR KEYS</b>	Door Keys for Manual Locks (4)

### **SALES ADMIN**

---

8003-200	<b>WARRANTY</b>	Warranty Cab and Chassis (1) Year RFW0101
8030-006	<b>CHASSIS OPERATION MANUAL</b>	Chassis Operation Manual Digital Copy (2)
8031-024	<b>ENGINE &amp; TRANSMISSION OPERATION MANUAL</b>	Eng & Trans Operation Man Eng Hard Copy/Trans Digital/Eng Owner Digital
8805-007	<b>CAB/CHASSIS AS BUILT WIRING DIAGRAMS</b>	Cab/Chassis As Built Wiring Diagrams Digital Copy (2)
8063-011	<b>CAB PAINT CONFIRMATION</b>	Cab Paint Confirmation - Sikkens - Single Color - Confirmation #1
8039-001	<b>SALES TERMS</b>	Sales Terms

### **ENGINEERING**

---

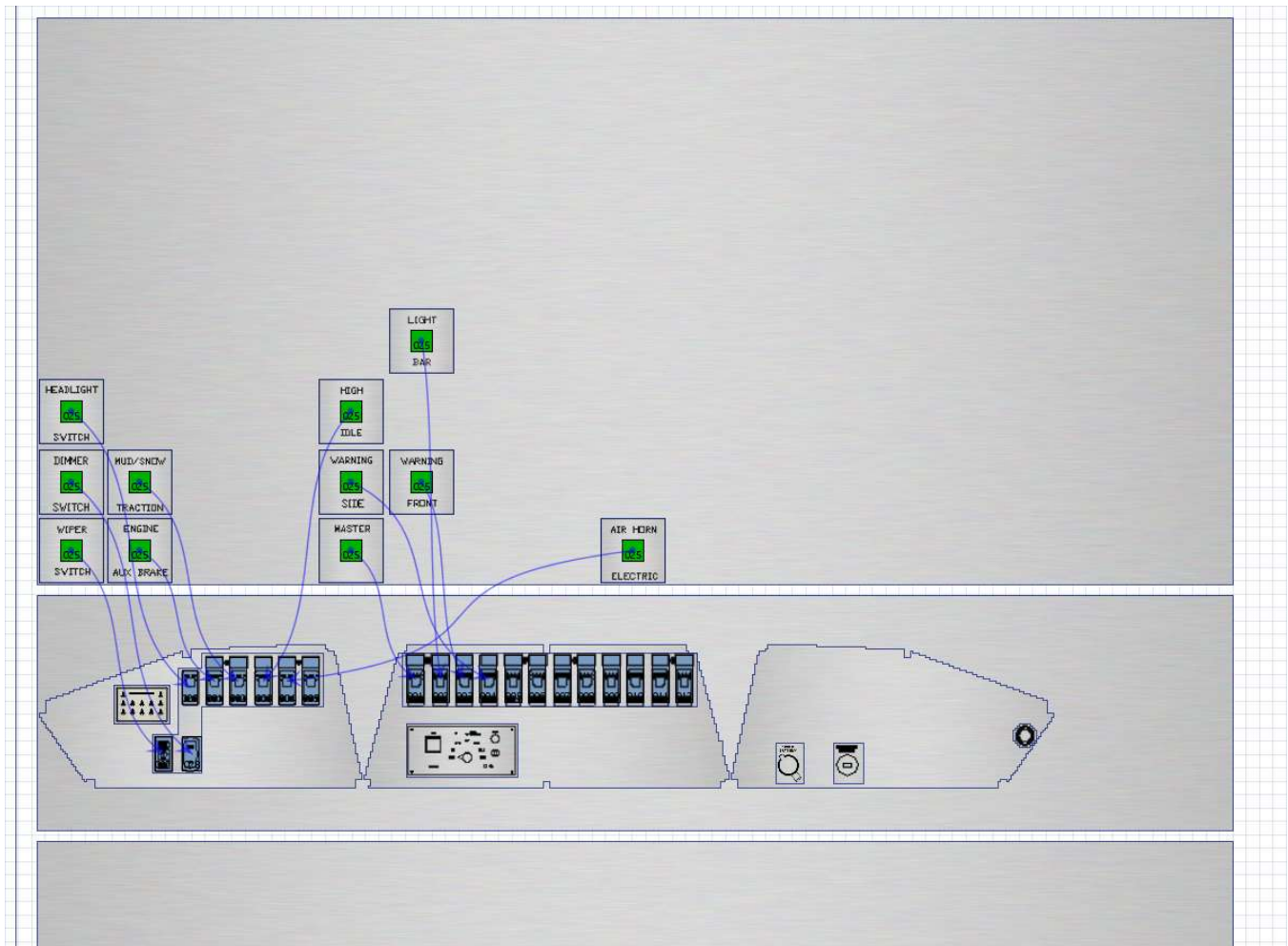
9005-002	<b>DRIVELINE LAYOUT CONFIRMATION</b>	Driveline Layout Confirmation Required
2124-009	<b>EFCM/REAR CROSSMEMBERS</b>	End of Frame Cross Member 2.25" From EOF

Prepared By JOE STUHR  
Quote Id : 95476,Revision Level: 8  
Order Id: 10012181  
Lead Unit Order Id: 10012181

Prepared For  
MARION BODY WORKS, INC.  
VIN : 4S9DT2D98RC560668  
Lead Sales Order Number: 95476

## *Panel Layout*

## 5020-001 Panel Layout



### Option Description

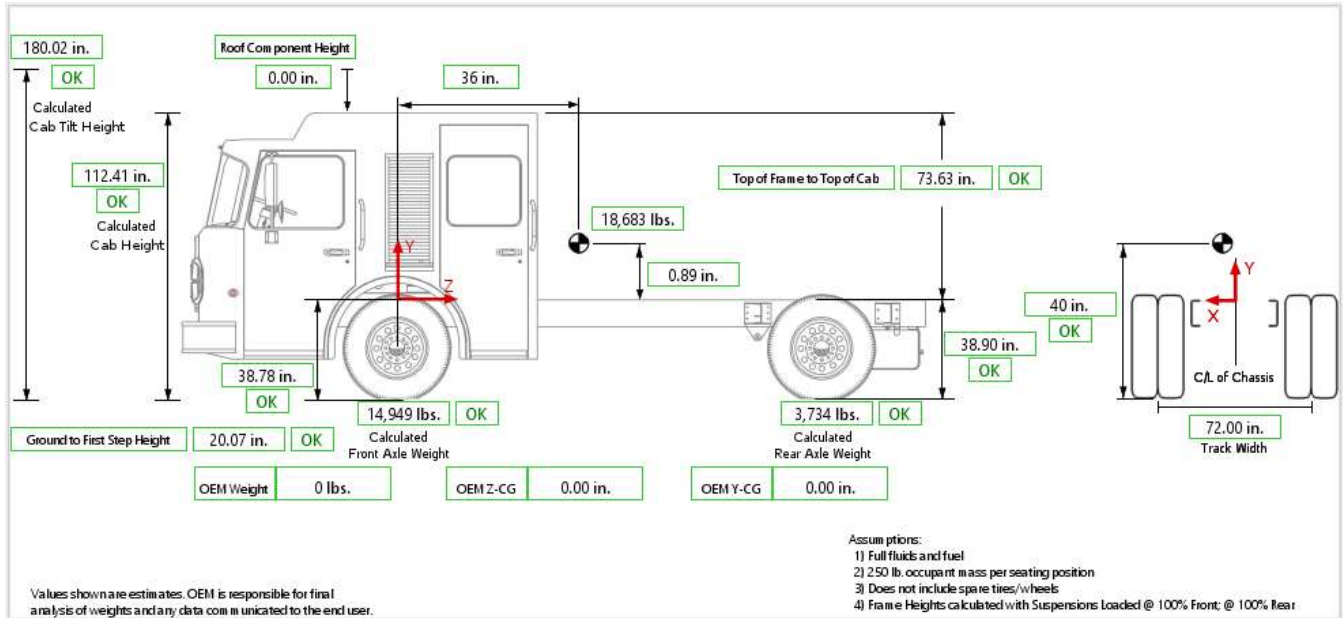
#### LEGEND LOCATION

- SW PNL CENTER 12 SW UPR 2010 94"
- SIREN CONTROL HEAD WHELEN 295HFS2
- AIR HORN PB 2010 94"
- PWR POINT DASH MNT (4) BATT DIR
- PWR POINT DASH MNT BATT DIR DUAL USB 1.13" HOLE SW PNL
- SEAT BELT WARN ADDITIONAL WELDON SEAT BELT INDICATOR MODULE 2010 LH
- LOCKED FC94
- SWITCH PANEL LH (8) [6+2] SWITCHES 2010 94"
- LIGHTBAR SWITCH PANEL -MUX (-010 SW)
- HDLT & MRKR LT ACTV DIMMER SW
- HDLT & MRKR LT RKR SW
- AUX ENG BRK CTRL ON/OFF SW PNL SWPN (-010)
- BRAKE SYSTEM TYPE ATC RKR SW 'MUD/SNOW TRACTION'
- WARNING SIDE SWITCH
- FRONT WARN SW
- MSTR WARN SW PNL 'MASTER'
- WINDSHIELD WIPER SYSTEM SINGLE MOTOR
- ENGINE HIGH IDLE CONTROL RKR SWITCH
- HORN RING SEL SW ELEC HORN/AIR HORN

Prepared By JOE STUHR  
Quote Id : 95476,Revision Level: 8  
Order Id: 10012181  
Lead Unit Order Id: 10012181

Prepared For  
MARION BODY WORKS, INC.  
VIN : 4S9DT2D98RC560668  
Lead Sales Order Number: 95476

## Weight Distribution



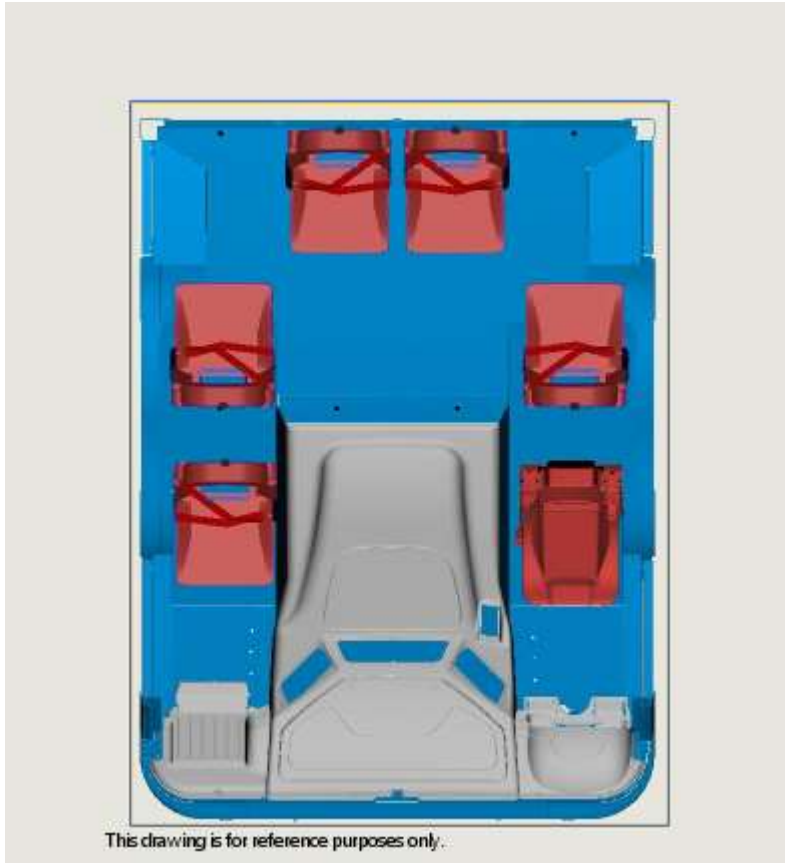
Calculated Apparatus Weight      18,683 lbs.  
 Calculated Apparatus Z-CG        36 in.  
 Calculated Apparatus Y-CG        0.89 in.

**Note:**

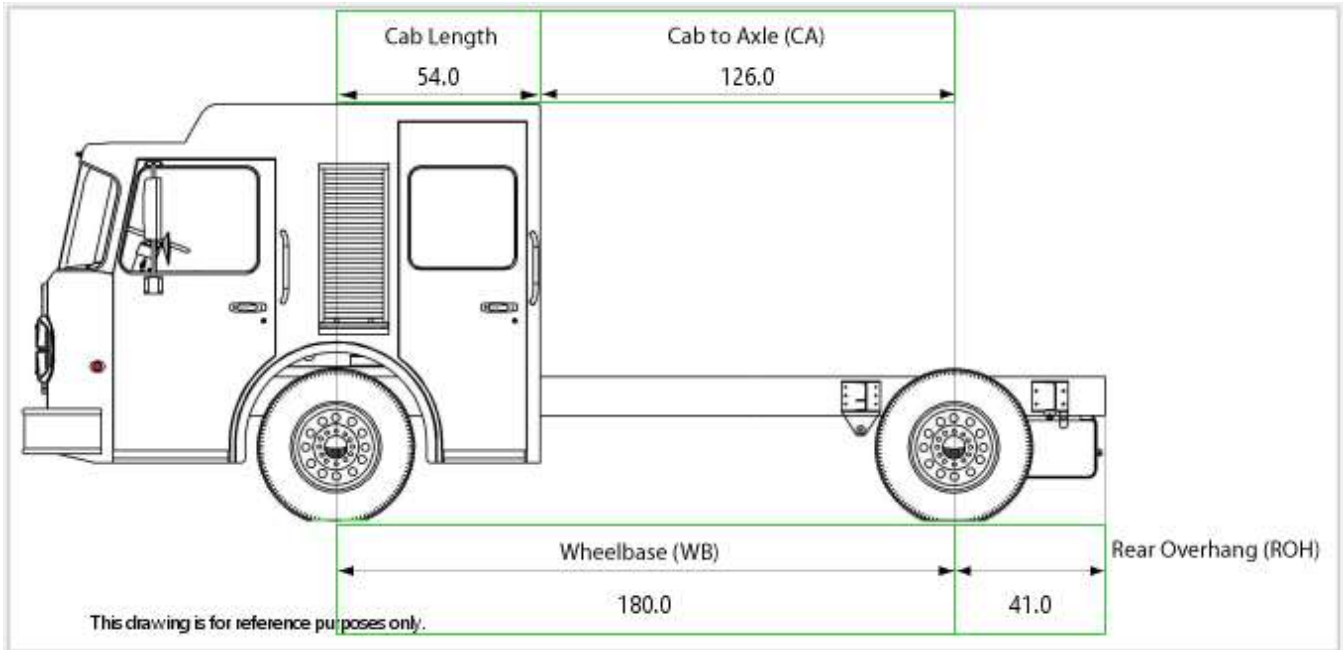
The Y-CG value above is calculated from the top of the frame.  
 Apparatus refers to total combined value for cab and chassis and OEM inputs.



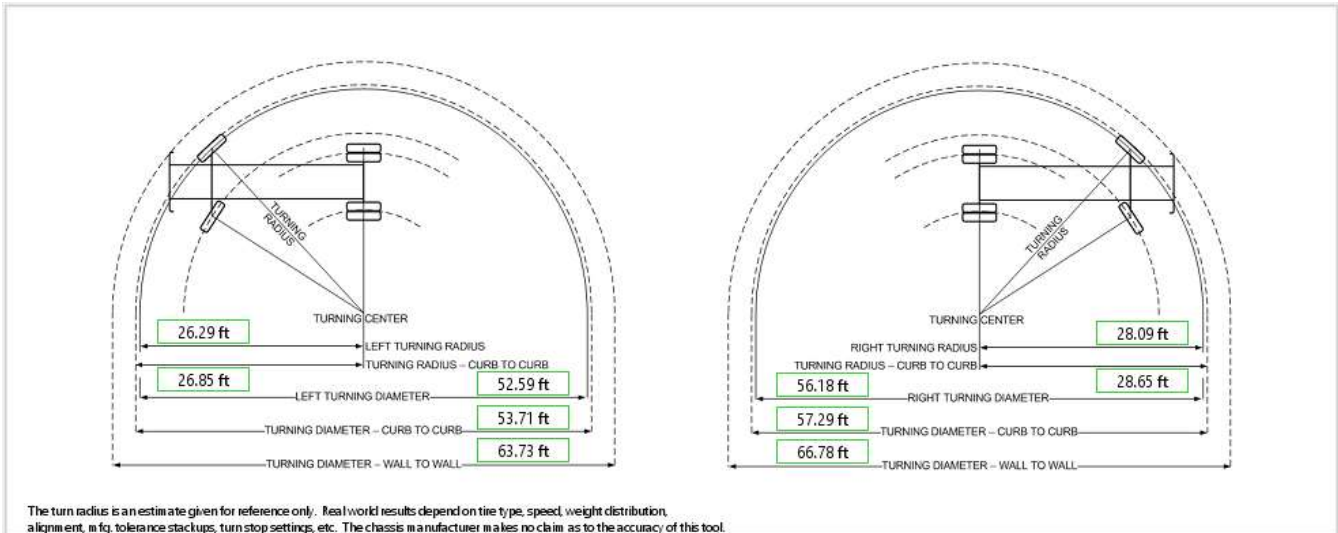
## *Seat Locations*



## Frame Dimensions



# Turning Radius



End User Name	Marion Body Works, Inc.
Chassis Model	0100-020 FC-94
Wheelbase	180.00 in
Bumper Extension	24.00 in
Bumper Width	99.00 in
Left hand outside tire turn angle	33.50 deg
Right hand outside tire turn angle	31.00 deg
Left hand Curb-to-Curb turning radius	26.85 ft, 8.18 m
Right hand Curb-to-Curb turning radius	28.65 ft, 8.73 m
Left hand Wall-to-Wall turning radius	31.87 ft, 9.71 m
Right hand Wall-to-Wall turning radius	33.39 ft, 10.18 m

## Cab Glass

